

AZ 1 Rectifying valve

This is a directly-heated, full-wave rectifying valve for medium-power receivers operating on normal working voltages.

FILAMENT RATINGS

Heating: direct by A.C.

Filament voltage. $V_f = 4 \text{ V}$

Filament current. $I_f = 1.1 \text{ A}$

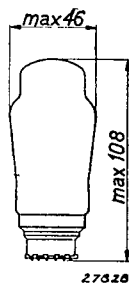


Fig. 1
Dimensions in mm.

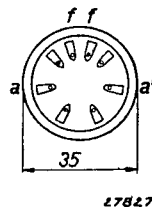


Fig. 2
Arrangement of electrodes and base connections.

MAXIMUM RATINGS

Voltage, on no load, at the secondary winding of

the power transformer. $V_{tr} = 2 \times 500 \text{ V}_{\text{eff}}$

D.C. output on $V_{tr} = 2 \times 500 \text{ V}_{\text{eff}}$ $I_o = \text{max. } 60 \text{ mA}$

D.C. output on $V_{tr} = 2 \times 400 \text{ V}_{\text{eff}}$ $I_o = \text{max. } 75 \text{ mA}$

D.C. output on $V_{tr} = 2 \times 300 \text{ V}_{\text{eff}}$ $I_o = \text{max. } 100 \text{ mA}$

Capacitance of the first smoothing capacitor. $C = \text{max. } 60 \mu\text{F}$

If the valve is to be mounted horizontally, it should be located so that the filament lies in the vertical plane.

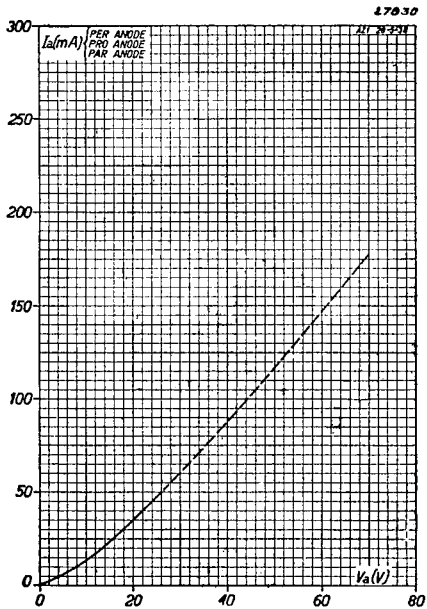


Fig. 3
Current per anode, as a function of the applied direct voltage.

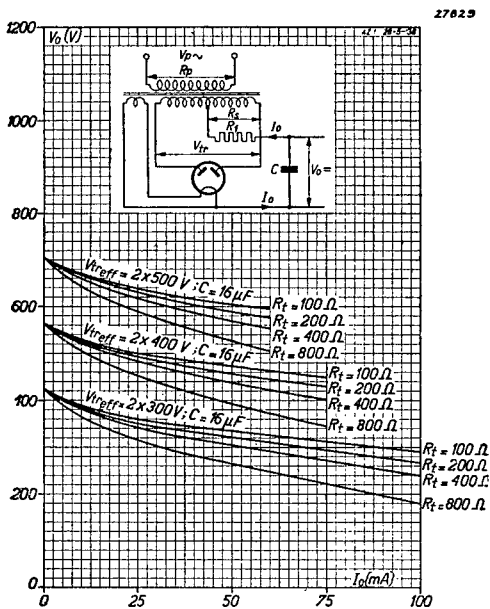


Fig. 4
Loading characteristics relating to different transformer voltages, on no load, for different values of the internal resistance of the transformer ($R_t = R_s + n^2 R_p + R_l$)